

# Modular Miniature Pressure Regulator "AirLogic"

R6 / RP / M5000



### Description

**Pressure regulator R6** Design as R7 but for bottom-sided flange assembly via fittings and o-rings made of NBR/Buna-N. Mounting through four screws (M3) with extremely small screw heads.

**Pressure regulator RP** This model guards against unauthorised tampering of pressure. Alternatively available with preset pressure. The pressure is to be set between 30 mbar and 2.8 bar. Its headroom is reduced to 49 mm. M3000 features four ports sideways and one on top. All ports can be provided with threads or blank slides, the ports sideways optionally with connector slides.

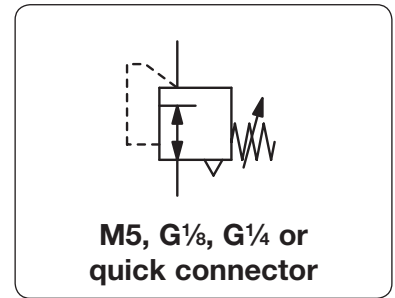
**Diverter block M5000**

**Top cover**

**Connector slide Assembly**

**Temperature range** 4 °C to 70 °C / 39.2 °F to 158 °F

**Material** Body: glass fiber-reinforced Celcon Inner valve: stainless steel and Celcon  
Elastomer: NBR/Buna-N



Dimensions			Flow rate	Supply pressure	Connection thread	Pressure range	Order number
A	B	C					
mm	mm	mm	l/min*1	max. bar	G/flange	bar	

Precision regulator with flange					with adjusting knob, relieving, gauge port G <sup>1</sup> / <sub>8</sub> on one side		R6
47	92	-	140	10	flange	0.01 ... 0.7 0.02 ... 2.1 0.03 ... 4.1 0.03 ... 7.0	R6-010-B1BB R6-030-B1BB R6-060-B1BB R6-100-B1BB



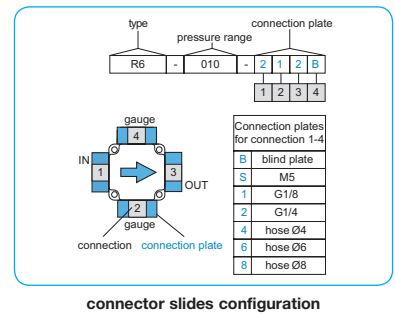
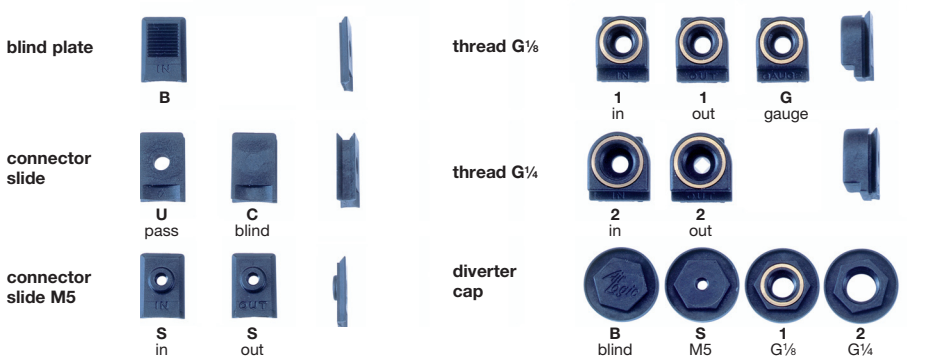
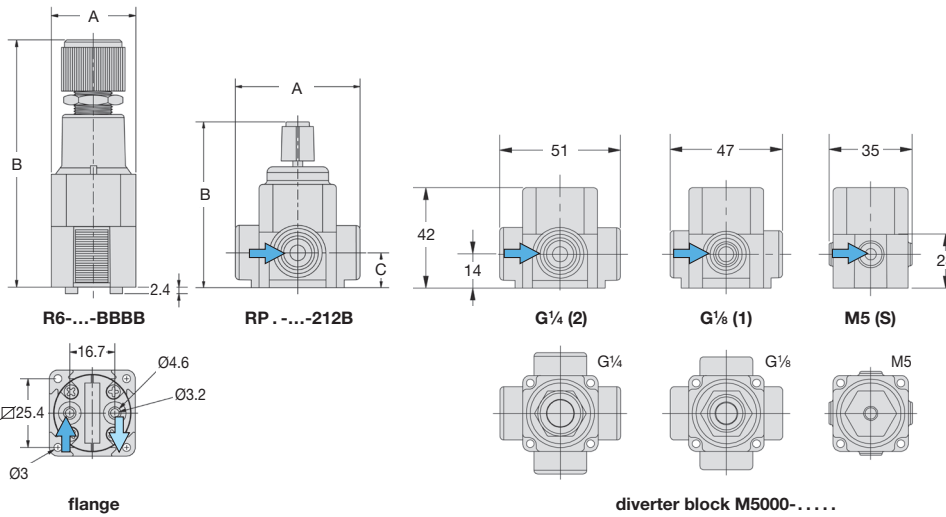
Regulator with adjustment lock					adjustment with socket wrench, relieving, gauge port G <sup>1</sup> / <sub>8</sub> on one side		RP
47	49	14	140	10	G <sup>1</sup> / <sub>8</sub>	0.03 ... 2,8 *2 0.03 ... 2,8 *2	RP7-040-111B RP6-040-B1BB
32	49	-			flange		



Diverter block G <sup>1</sup> / <sub>8</sub>				e.g. all ports G <sup>1</sup> / <sub>8</sub>		M5000
47	42	14	without filter with filter, 380 µm	-	G <sup>1</sup> / <sub>8</sub> connection	M5000-11111 M5001-11111

## Special options and accessories

see adjoining page



\*1 at 7 bar supply pressure, 6 bar outlet pressure and 1 bar pressure drop

\*2 indicate preset pressure on order

PDF CAD  
www.aircom.net

**Order example:**  
R6-010-B1BB